

# Orthodontic

Pliers

Cutters

Black Line Cutters

Accessories



## ORTHODONTICS PLIERS

Every instrument we create becomes, in essence, a critical extension of each practitioner's skill. To achieve this, we handcraft each instrument individually, assuring instruments of the highest quality, durability and performance available to the profession.



**MATT FINISH**  
Dramatically reduces light reflection into the clinician's eye because the surface absorbs light versus high polish which reflects light.

**ORBIT JOINT**

- Consistent smooth functionality — glides smoothly with no wobble.
- True alignment of cutter tips — rattling at the joint means tips do not come together properly.
- Single part construction — no shims to wear out, seize up or corrode.

**STAINLESS STEEL**

- A premium blend of surgical stainless steel which provides corrosion resistance, optimal strength and long product life.
- 100% stainless steel from tip to tip — no dissimilar metals reaction.
- No chrome plating to scratch off, exposing lower quality metals that rust.

**LASER ENGRAVING OF APPLICABLE WIRE SIZES**  
All GDC Ortho cutters and pliers are laser engraved with the applicable wire minimums and maximums.

Weingart

How



Short  
3000/31



Slim  
3000/32



2mm  
Straight  
3000/84



2mm  
Curved  
3000/72  
Also available in Wide Tip  
4mm Straight # 3000/85  
4mm Curved # 3000/73

Bracket Remover

Posterior Band Remover



Curved  
3000/82



Straight  
3000/83



Short  
3000/49



Long  
3000/50

UTILITY PLIERS



Anterior Band Remover  
3000/48



Johnson Contouring  
3000/59



Ball & Socket  
3000/4



Band / Crown Crimping  
3000/225



Canine Contouring  
3000/310



Separating Module  
3000/391



Separating Module Angular  
3000/392

WIRE BENDING PLIERS

Bird Beak



De La Rosa

Ribbon/Tweed Arch



WIRE BENDING PLIERS



Torquing Plier Male/Female  
Suggested Pair

Torquing Plier with Key  
Suggested Pair



Band Forming



Right  
3000/42



Left  
3000/41

Band Pinching



Left  
3000/5



Right  
3000/6

LABORATORY PLIERS



Universal  
3000/55



Adam's  
3000/33

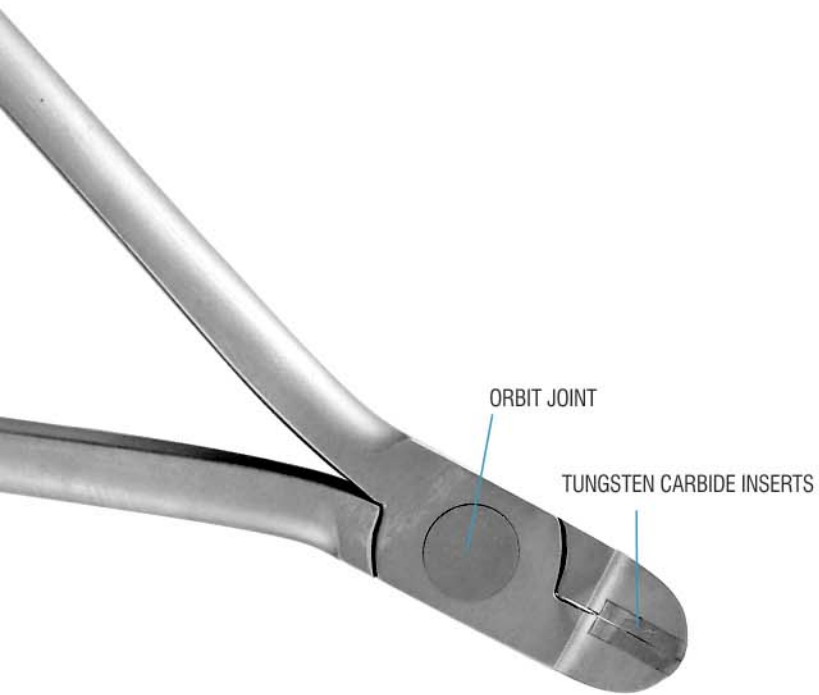


Optical  
3000/53



Ligature Tying  
3000/210

PLIERS WITH TUNGSTEN CARBIDE INSERTS



Weingart TC



Ribbon/Tweed Arch



Bird Beak



PLIERS WITH TUNGSTEN CARBIDE INSERTS

How TC

Posterior Band Remover TC



**Curved**  
3000/73TC

Also available in Narrow Tip  
2mm Straight # 3000/84  
2mm Curved # 3000/72



**Straight**  
3000/85TC



**Long**  
3000/50TC



**Short**  
3000/49TC



**Three Beak Plier with Cutter TC**  
3000/57TC



**Adam's Plier TC**  
3000/33TC



**Crimpable Hook Placement**  
3000/2



**Bracket Removing Curved TC**  
3000/220

Orthodontic

LIGATURE CUTTER TUNGSTEN CARBIDE INSERTS



TUNGSTEN CARBIDE INSERTS



Micro Ligature Cutter  
3000/110



Ligature Cutter  
3000/708



Ligature Cutter  
3000/106



Ligature Cutter  
3000/107



Lingual Ligature Cutter 45°  
3000/111



Ligature Cutter 15°  
3000/109

DISTAL END CUTTER TUNGSTEN CARBIDE INSERTS



Long Handle  
3000/67



Short Handle  
3000/67S



With Hole Short Handle  
3000/67H



Flush Cut Long Handle  
3000/68



Micro Angular  
3000/100

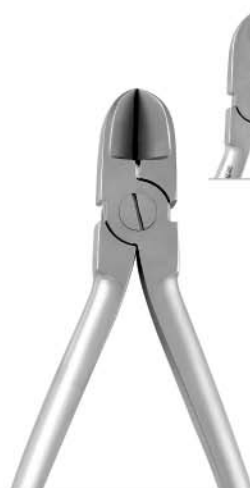


Micro  
3000/101

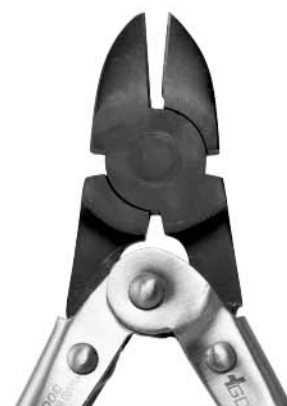
HEAVY WIRE CUTTER



Hard Wire Cutter  
3000/7



Hard Wire Cutter  
3000/8



Hard Wire Cutter  
3000/9

## BLACK LINE CUTTER

### BLACK LINE

- A performance engineered coating.

### REDUCED LIGHT REFLECTION

- The black surface not only prevents reflection of the OT light, but also guarantees optimal contrast in the environment during treatment



**TC Material**  
• Tungsten Carbide material insert in the tip to cut the wire easily.

**Distal End Cutter**  
3200/67B

**RIVET JOINT**  
• Consistent smooth functionality — glides smoothly with no wobble.  
• True alignment of cutter tips — rattling at the joint means tips do not come together properly.  
• Single part construction — no shims to wear out, seize up or corrode.

**Laser Engraving of Applicable Wire Size**  
• All GDC Ortho cutters & pliers are laser engraved with the applicable wire minimums and maximum



Pin Ligature Cutter  
3200/106



Pin Ligature Cutter 15°  
3200/109



Pin Ligature Cutter  
3200/708



Hard Wire Cutter  
3200/7

MATHIEU PLIERS



Smaha  
NHMS



Smaha Curved  
NHMC



Fine  
NHMF



With Ring  
NHMR

Also available in mathieu smaha  
with ring # NHMSR

BRACKET HOLDING & PLACING TWEEZER



1006



1008



1132

BUCCAL  
TUBE HOLDER



1134



**Boley Gauge**  
4982



**Band Pusher**  
4870



**Wire Twister TC 15.0cm**  
WTTC



**Wire Twister WT**  
WT

LIGATURE INSTRUMENTS



**Ligature Tucker**  
672/2  
#3 #4



**Ligature Directional Instrument**  
672/1  
#3



**Utility Instrument**  
673  
#3



**Elastic Applicator**  
674  
#3

HEIGHT GAUGE WICK TYPE



018  
SS 4876/1



022  
SS 4876/2



Adjustable  
4875



Band Seater  
4871



Specifically designed for posterior positioning of any direct bond attachment excellent view afforded by the small head. Serrated tips give you a firm grip. The hard anodized aluminium allows you to work in comfort

Light Weight Positioner (Aluminium)  
2817



Dontrix Gauge  
2816



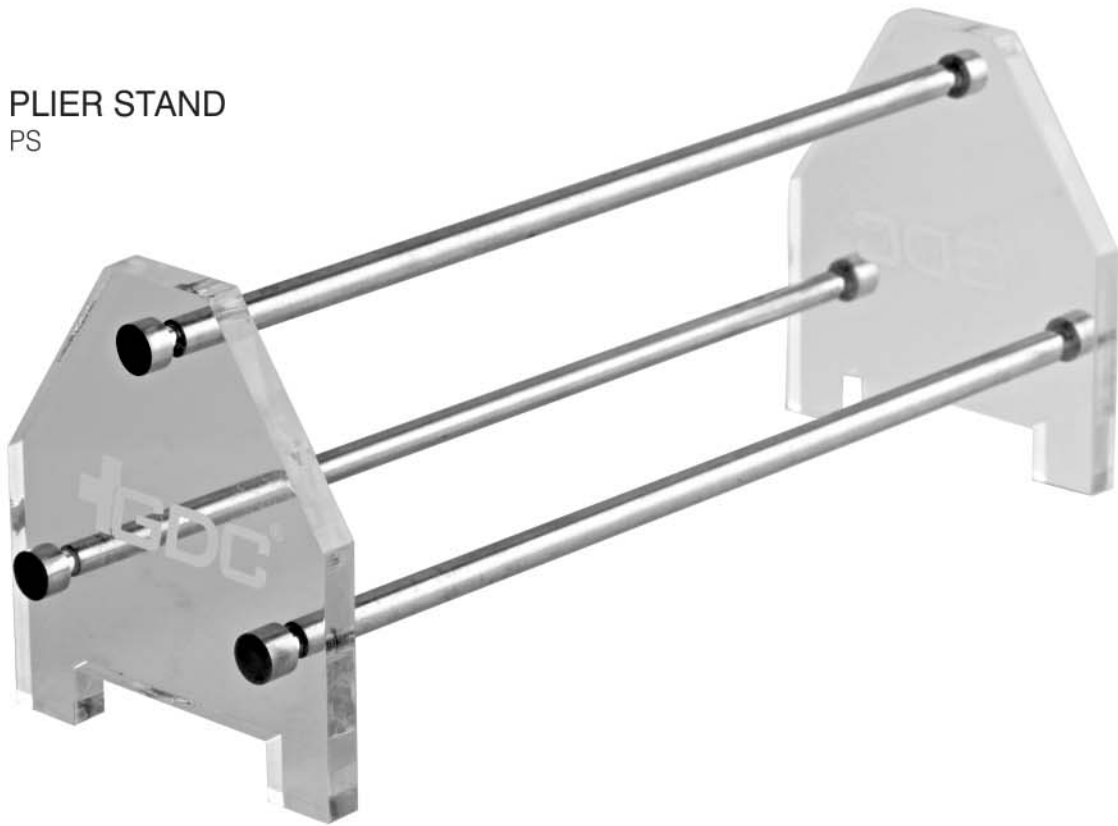
Boon's Gauge SS  
2812

For different heights for bracket positioning. 3.5mm, 4mm, 4.5mm & 5mm. Star points sit inside the brackets face and measure to the incisal edge.



Boon's Gauge with Lid  
2811

PLIER STAND  
PS



Distal Bending Instrument

These instruments for the distal bending of the arches



2815

