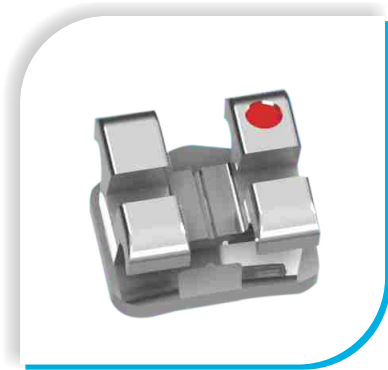
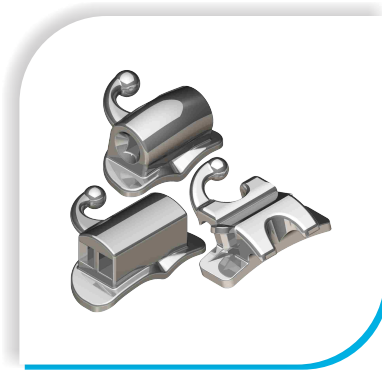




Product Catalogue 2017



CHROMO
METAL BRACKET SYSTEM



ORTHODONTIC
PRE-WELDED
MOLAR BANDS



lune
Ceramic Bracket System With Metal Slot

OPAL
Diamond Polished Micro Low Profile Mini Bracket System

CLARA
Mono Crystalline Sapphire Bracket

mavel
COMPOSITE BRACKET SYSTEM

TRONA
Molar Bondable Tubes

ingqa
MINI CERAMIC BRACKET

ORTHODONTIC
ARCHWIRES

CHROMO

METAL BRACKET SYSTEM

TRUE TWIN TWO-PIECE BRACKET
WITH FOUR TIE WING DESIGN AND
TIME TESTED 80 MESH

Fully Programmed Metal Bracket System

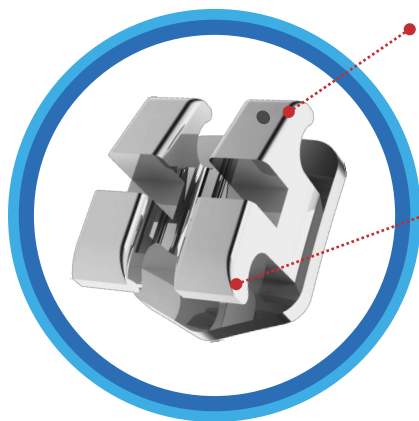
- 3D COMPUTER AIDED DESIGN
- METAL INJECTION MOLDING
- CNC MILLING

Ultra Low Friction Slot

CNC manufactured slot and advanced polishing process creates mirror finish by removing high surface peaks at molecular level.

Beveled Tie Wings

To reduce the bracket visibility from the front without compromising on strength.



Permanent ID marks

with enhanced colors for easy identification.

Large tie wings design

for double - tying



Mushroom shaped hook

Secures chains and attachments and prevents slipping in between patient appointments.

Centre Scribe Line

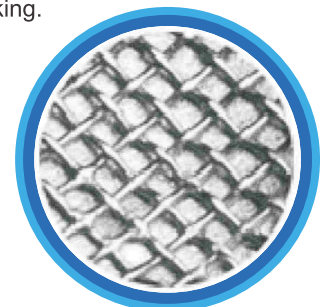
For accurate placement in line with the long axis of the tooth.

Rounded Tie Wings

For Patient comfort

80 Gauge mesh pad

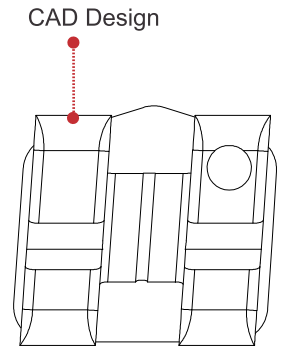
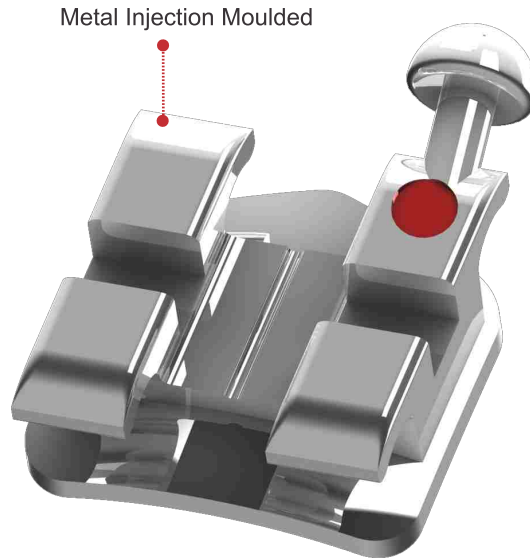
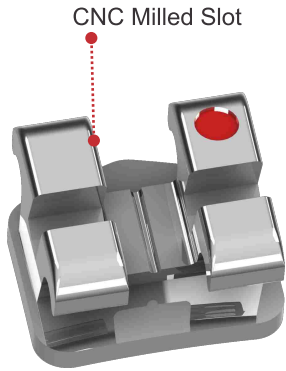
Compound contoured diagonal mesh pad for maximum bonding strength and zero rocking.



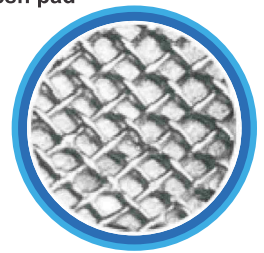
OPAL

Diamond Polished Micro Low Profile Mini Bracket System

World's Smallest 2 Piece Diamond Polished Micro Low Profile Mini Bracket System



80 Gauge mesh pad



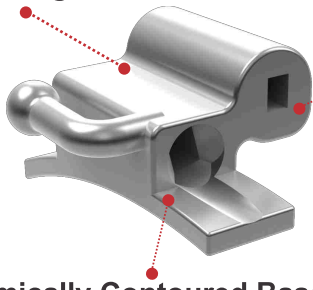
TRONA

Molar Bondable Tubes

Molar Bondable & Weldable Tubes

- Full Funneled Entrance
- Comfort Hook Design
- Foil Mesh Base

Positioning Guide



Funneled Entrance

Evolve Flow Funneled entrance allows for easy wire insertion.

Colour Coded

Each tube is colour coded on the facial surface for easy molar quadrant identification.

Distal Notch

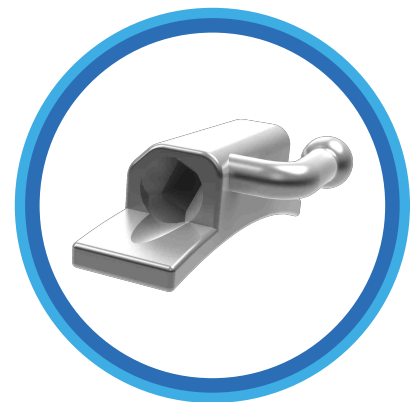
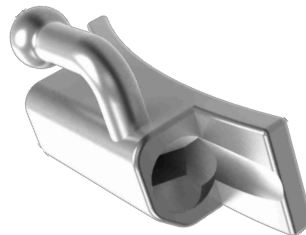
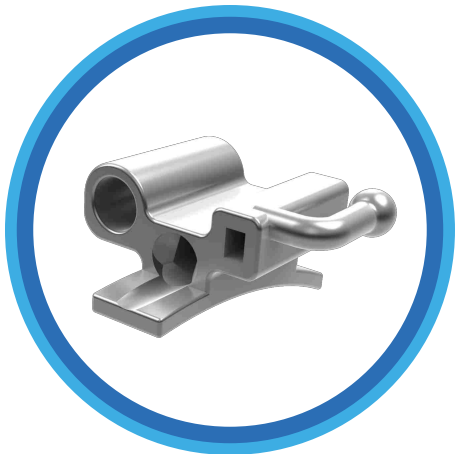
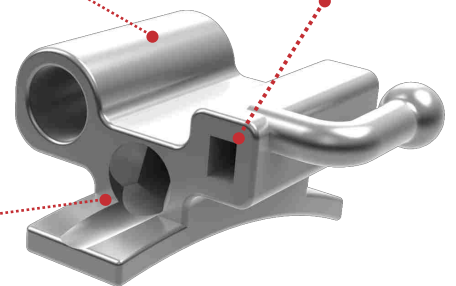
Evolve flow features a distal notch for ligation and tieback of auxiliaries.

Anatomically Contoured Base

Evolve Flow contoured base with occlusal indent ensures accurate fit, whilst the 80 gauge mesh pad ensures superior bond strength.

Low Profile

The contoured surface are low profile and tapered for patient comfort.



ORTHODONTIC PRE-WELDED MOLAR BANDS

PRE-WELDED MOLAR BANDS

Contoured 1st Molar Bands Pre-welded with Non Convertible Tubes



1st Molar bands available in .022 MBT and Roth prescription pre-welded with low profile buccal tubes.

- Band size range of 29.5 - 44 including half sizes.
- Permanently etched marking system.
- Etched inner surface for better retention.

Maxillary Tube - Double

Non convertible with mesial hook.

Band size range of 29.5 - 43 including half sizes.

Permanently etched marking system.



Etched inner surface for better retention.

	Torque	Rotation
Roth	-10°	-8°
MBT	-14°	-10°



Mandibular Tube - Single

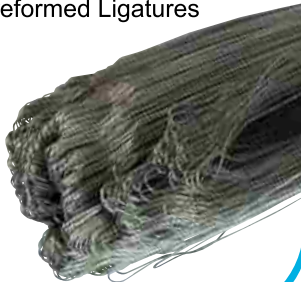
Non convertible with mesial hook.



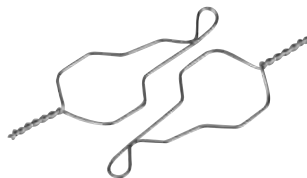
Plain Molar Bands

	Torque	Rotation
Roth	-25°	-5°
MBT	-10°	-0°

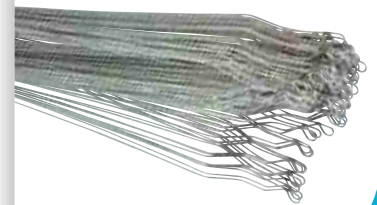
Preformed Ligatures



Pre-cut Kobayashi Short Ligatures



Preformed Kobayashi Ligatures



NiTi Open Coil Spring



Niti Close Coil Spring



Silver Solder DWT Spool



lune

Ceramic Bracket System With Metal Slot

Poly-Crystalline Ceramic Bracket System with Metal Slot

•Metal Slot

•Dove Tail Grooves

•Translucent

Nickel Free Metal Slot

For Improving sliding mechanics and to withstand higher torquing forces

Ultra-Smooth & Strong Hooks

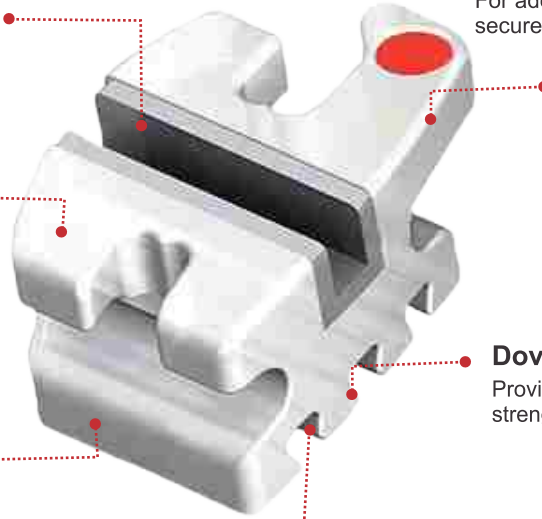
For added patient comfort and secure engagement of elastics

Smooth, Strong and Contoured Tie Wings

For added patient comfort

Compound Contour Base

Provides simplified and accurate bracket placement



Dovetail Bonding Base

Provides superior mechanical bond strength and predictable debonding

Highest Quality Material

Made from high quality poly crystalline ceramic

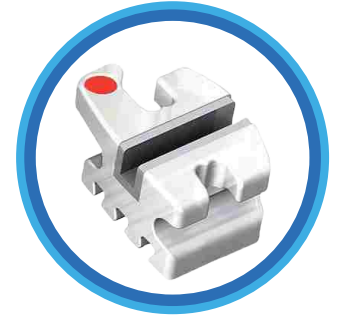


Removable Colour Coded ID Dot

For easy bracket selection

Ample Tie Wing Area

For easy bracket ligation



mavel

COMPOSITE BRACKET SYSTEM

Composite bracket system

•Nano Particle Coating •Dove Tail Grooves •Bonding Like Metal Bracket

Highest Quality Material

Made from high quality poly urethane composite

Smooth, Strong and Contoured Tie Wings

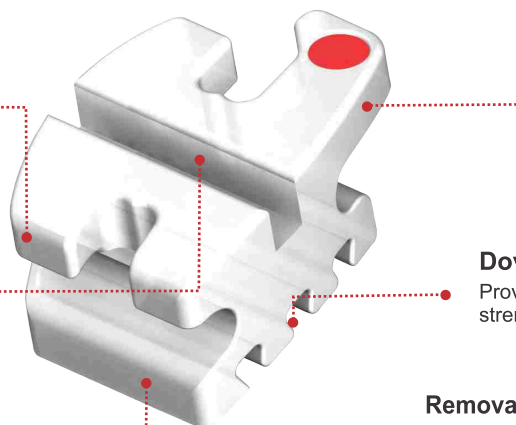
For added patient comfort

Archwire Slot Design

Resists deformation and less friction for superior sliding mechanics

Compound Contour Base

Provides simplified and accurate bracket placement



Dovetail Bonding Base

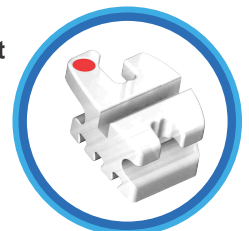
Provides superior mechanical bond strength and predictable debonding

Removable Colour Coded ID Dot

For easy bracket selection

Ample Tie Wing Area

For easy bracket ligation



CLARA

Mono Crystalline Sapphire Bracket

Unique Mono-Crystalline Sapphire Bracket System

- Dove Tail Grooves
- Low Profile Design
- Zero Glare Surface

Smooth, Strong and Contoured Tie Wings

For added patient comfort

Archwire Slot Design

Diamond and heat polished for superior sliding mechanics

Computer Contour Base

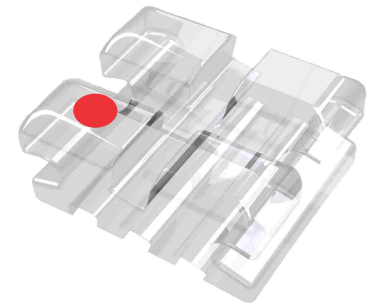
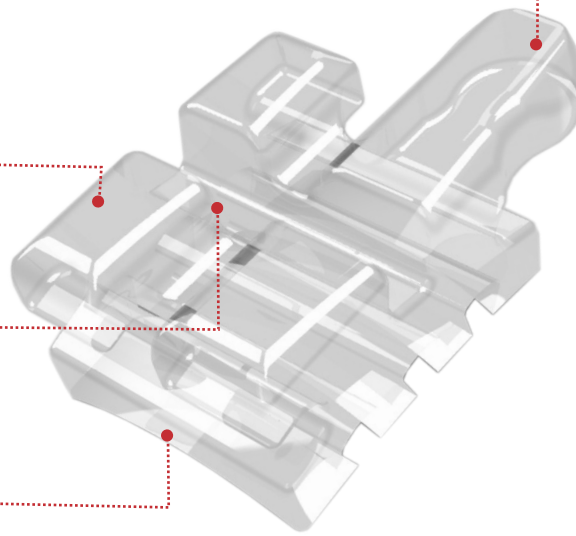
Provides simplified and accurate bracket placement

Ultra-Smooth, Strong Hooks

For added patient comfort and secure engagement of elastics

Removable Colour Coded ID Dot

For easy bracket selection



Mini Ceramic Bracket System

- Mini Size
- Dove Tail Grooves
- Low Profile Design

Archwire Slot Design

Diamond and heat polished for superior sliding mechanics

Highest Quality Material

Made from high quality poly crystalline ceramic

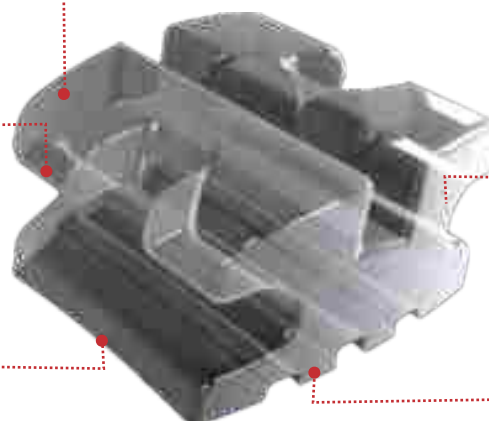
Compound Contour Base

Provides simplified and accurate bracket placement

Smooth, strong & contoured tie wings for added for patient comfort.

Dovetail Bonding Base

Provides superior mechanical band strength and predictable debonding



ingqa

MINI CERAMIC BRACKET

ORTHODONTIC ARCHWIRES

- Nickel Titanium
- Reverse Curve
- Thermal
- Coated
- Stainless Steel
- Beta



Super Elastic Nickel Titanium Archwire

Shapes Available Natural, Euro & Demon

This super elastic archwire provides a light and continuous force with a high resistance to deformation.

Sold in packs of 10.



Thermal Active Nickel Titanium Archwire

Shapes Available Natural, Euro & Demon

Thermal wire is an advanced heat activated wire with superior shape & Memory properties. This soft wire is easily bent outside the mouth. It gradually increases in force and activates at body temperature ensuring a light, continuous force.

Sold in packs of 10.



Stainless Steel Archwire

Shapes Available Natural, Euro & Demon

Gold tone preformed arches.

Sold in packs of 10.



Super Elastic Nickel Titanium Reverse Curve Archwire

Reverse Curve archwire's clinical benefits include:

- The ability to open or close a patient's bite.
- The retraction of flared, protruding incisors.
- The prevention of unwanted tooth movement whilst preserving the arch form.

Sold in packs of 10.



Ligature Wire Spool

High Quality, Very Economical, wound onto a spool.

Available in Sizes: .009", .010", .012"



Super Elastic Nickel Titanium Wire Spool

Very Economical, Straightened & wound onto a spool.

Available in Sizes: .012", .014", .016", .018"

Accessories & Models

Co-Axial Wire Spool

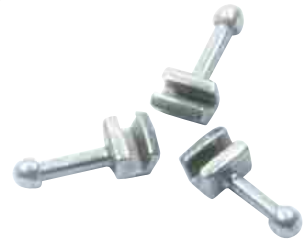


Size: 0.0155", 0.0175", 0.0195"

NiTi Open Coil Spring on a Spool



Crimpable Hooks



Lingual Buttons



Bondable & Weldable

Lingual Sheath



Lingual Cleats



Bondable & Weldable

Elastomeric Ligature Ties



Colour, Clear & Grey

Begg Brackets



Flat & Curved

Elastomeric E-chains



Clear & Grey
Short, Long & Closed

Extra Oral Elastics

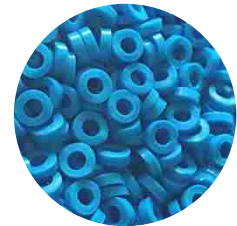


Intra Oral Elastics



Grey, Red, Blue, Green,
Yellow & Pink

Separators



Accessories & Air Turbines

Lip Retractor



Small & Large

Cheek Retractor



Medium & Large

Cheek Retractor



Small & Large

Lip Ring Retractor



Small & Large

Retainer Boxes



Photo Cheek Retractors



Relief Wax



Mouth Props



Small, Medium & Large

Low Speed Straight Hand piece



Low Speed Contra Angle Hand piece



High Speed Standard Head Wrench Type Hand piece



High Speed Standard Head Push Button Hand piece



High Speed Supertorque Wrench Type Hand piece



High Speed Supertorque Push Button Hand piece



LED Supertorque Push Button High Speed Hand Piece



CHROMO
METAL BRACKET SYSTEM

ORTHODONTIC
PRE-WELDED
MOLAR BANDS

lune
Ceramic Bracket System With Metal Slot

OPAL
Diamond Polished Micro Low Profile Mini Bracket System

CLARA
Mono Crystalline Sapphire Bracket

mavel
COMPOSITE BRACKET SYSTEM

TRONA
Molar Bondable Tubes

inga
MINI CERAMIC BRACKET

ORTHODONTIC
ARCHWIRES

GDC[®]
Fine Crafted Dental Precision instruments



GUPTA DENTAL COMPANY

PPL 409 Complex, Ravidass Nagar, Near Chandigarh By-Pass
Hoshiarpur -146001 (PUNJAB) INDIA.
E-mail :- guptadentalcompany@gmail.com
Mob.:- +91 73470-15098
www.gdcdental.com